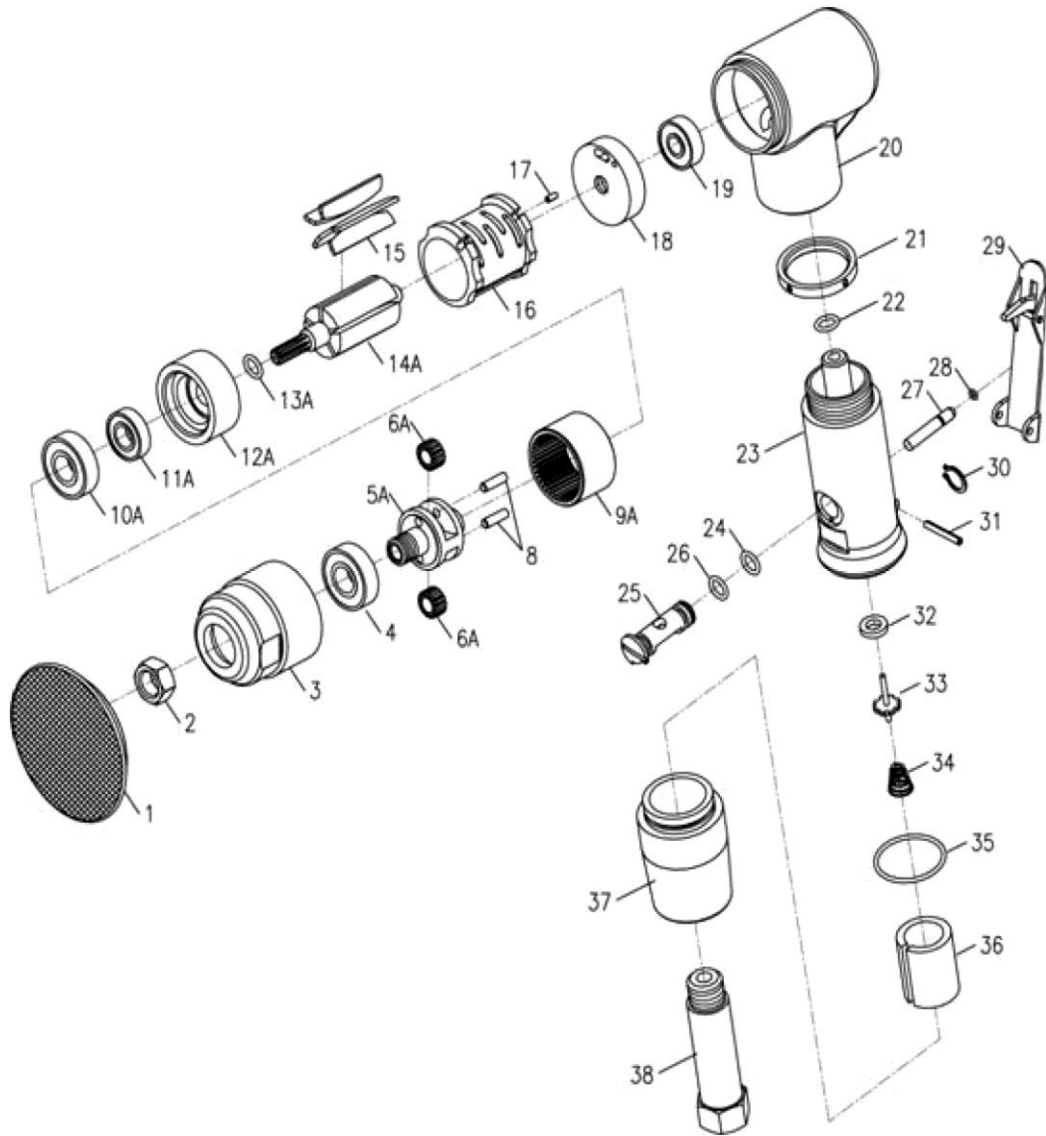


# HEAVY DUTY AIR ANGLE POLISHER



6517-AP

INDEX NO.	DESCRIPTION	REQ'D NO.	INDEX NO.	DESCRIPTION	REQ'D NO.
01	3" Pad	1	22	O-Ring	1
02	Nut	1	23	Housing	1
03	Front Cover	1	24	O-Ring	1
04	Bearing	1	25	Air Controller	1
05A	Gear Cage	1	26	O-Ring	1
06A	Gear	2	27	Valve Pin	1
08	Pin	2	28	O-Ring	1
09A	Internal Gear	1	29	Lever	1
10A	Bearing	1	30	Snap Ring	1
11A	Bearing	1	31	Spring Pin	1
12A	Front Plate	1	32	Seal	1
13A	Spacer	1	33	Valve Stem	1
14A	Rotor	1	34	Spring	1
15	Blade	5	35	O-Ring	1
16	Cylinder	1	36	Felt	1
17	Spring Pin	1	37	Exhaust Deflector	1
18	Rear Plate	1	38	Air Inlet 1/4"-18 NPT	1
19	Bearing	1		Air Inlet 1/4"-19 PT	
20	Housing	1		Air Inlet 1/4"-19 PF	
21	Lock Nut	1			

0000.00.00

2015.04.01